

RA 3 / MA 2 SWITCH

Reed Proximity switch with magnetic assembly



TECHNICAL SPECIFICATIONS

TYPE	RA 3 / MA 2
TERMINAL TYPE	-
CONTACT CONFIGURATION	1 N/C
RATED CARRYING CURRENT (RESISTIVE) AT 200 VDC	0.5A (Max 200 VDC) & 10 W each Max
AMBIENT TEMPERATURE	-40°C To + 85°C
LIFE EXPECTANCY	10 ⁷ Operations at Optimum Load Conditions.
ALL DIMENSIONS ARE IN mm (W x L x H)	23 x 13.9 x 6
MAX WEIGHT IN GRAMS	RA 3 :- 4.2 gms MA 2 :- 3.2 gms
MAX SWITCHED POWER	10 W / VA
MAX SWITCHED VOLTAGE	200 V
MAX SWITCHED CURRENT	0.5 V
BREAK - DOWN VOLTAGE	250 VDC
MAGNET SIZE	20 mm x Ø 4.0mm



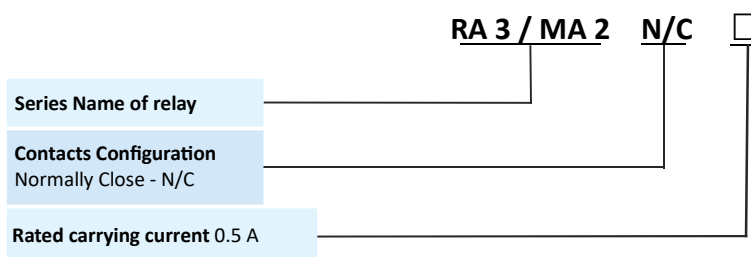
SALIENT FEATURES

- Excellent Isolation
- Epoxy Encapsulation

APPLICATIONS

- Machine Tools
- Photo Copiers
- Flow Sensing
- Elevators
- Conveyors
- Washing Machine
- Xerox Machine
- Limit Switches etc.

ORDERING CODE FOR RELAY



NOTE:-

- 1) All Specification / Dimensions subject to Tolerance.
- 2) Any Techno commercial changes is / are prerogative of manufacturer / management of the company which can be done without any notice.
- 3) Longer wires can be made available as per specific requirements.



+91 22 25106104/05



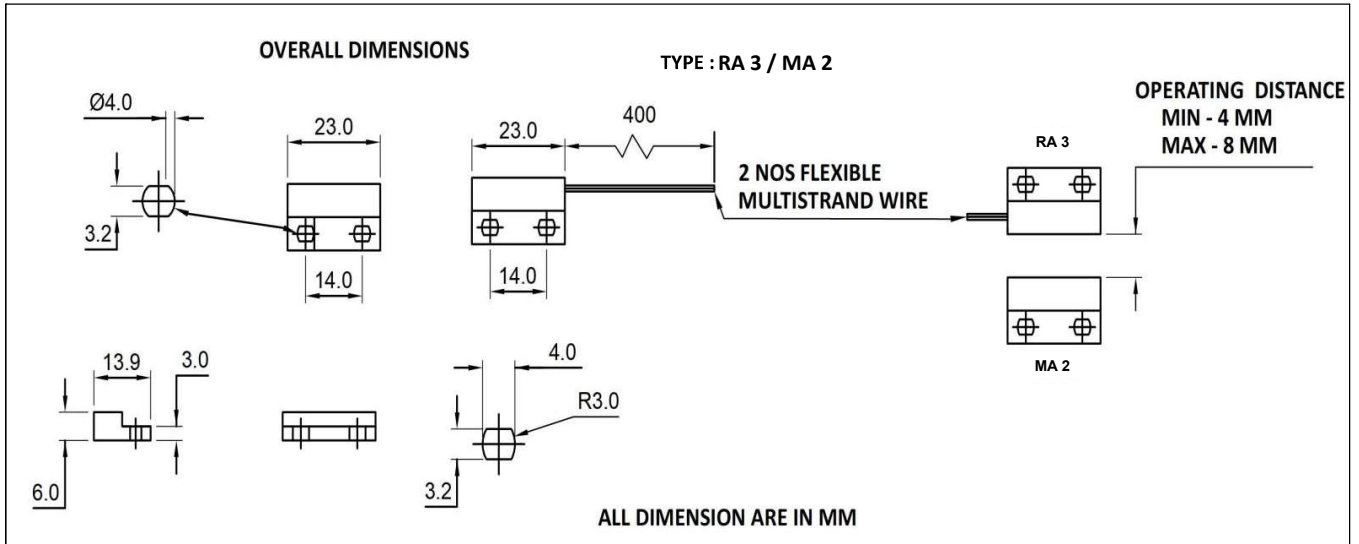
+91 7045459530



sales@plarelays.com



www.plarelays.com



NOTE :- 1) In case no tolerance shown in outline dimensions : Outline dimension 1mm, tolerance should be $\pm 0.2\text{mm}$
Outline dimension 1mm and 5mm, tolerance should be $\pm 0.3\text{mm}$ Outline dimension 5mm tolerance should be $\pm 0.4\text{mm}$
2) The tolerance without indicating for PCB layout is always $\pm 0.2\text{mm}$

