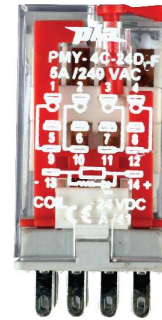


TECHNICAL SPECIFICATIONS

TYPE		PMY
TERMINAL TYPE		Plug In
VERSIONS		With Flag Without Flag
CONTACT CONFIGURATION		2C 4C
RATED CARRYING CURRENT (RESISTIVE) AT 24 VDC / 250 VAC		10A & 5A 5A
CONTACT MATERIAL		Silver alloy
INITIAL CONTACT RESISTANCE		0.050 Ω
COIL NOMINAL VOLTAGES	DC	12-220 V
	AC	12-240 V @50Hz
OPERATING POWER (MIN-MAX) FOR DC COIL		0.89 W - 1.15 W
OPERATING POWER (MIN-MAX) FOR AC COIL		1.10 - 1.25 VA
DIELECTRIC STRENGTH	BETWEEN OPEN CONTACT	750 VAC
	COIL TO CONTACT	2000 VAC
INSULATION RESISTANCE AT 500 VDC AT 27°C & 65% RH		100 MΩ
OPERATE TIME (MAX)		20 ms
RELEASE TIME (MAX)		10 ms
AMBIENT TEMPERATURE		-30°C To +70°C
IMPULSE WITHSTAND VOLTAGE (AS PER IEC 60255-5)		5KV 1.2/50 μS.
ELECTRICAL LIFE (NO OF OPERATIONS)		10 ⁵
MECHANICAL LIFE (NO OF OPERATIONS)		10 ⁶
ALL DIMENSIONS ARE IN mm (W x L x H)		21.5 x 28 x 35.5(+7)
MAX WEIGHT IN GRAMS		37 gms (approx)
INBUILT FEATURE		LED
OPTIONAL FEATURES		DIODE
STANDARDS		Meeting as per IEC 61810-1



PMY with Flag



PMY Without Flag



SALIENT FEATURES

- Miniature Industrial Relay
- Long Life & High Reliability
- Dust Protected
- With Led Indicator
- Sockets available

APPLICATIONS

- Industrial Controls
- Office Automation
- PLC's
- Timers

NOTE :- 1) This product is type tested by TUV Nord as per IEC 61810-1:2015-A1:2019

2) Recommended socket :- **SDR PMY 8/14 & SPCB PMY 8/14**

3) All Specification/Dimensions subject to Tolerance

4) Any Techno commercial changes is / are prerogative of Manufacturer / Management of the company which can be done without any notice



+91 22 25106104/05



+91 7045459530



sales@plarelays.com

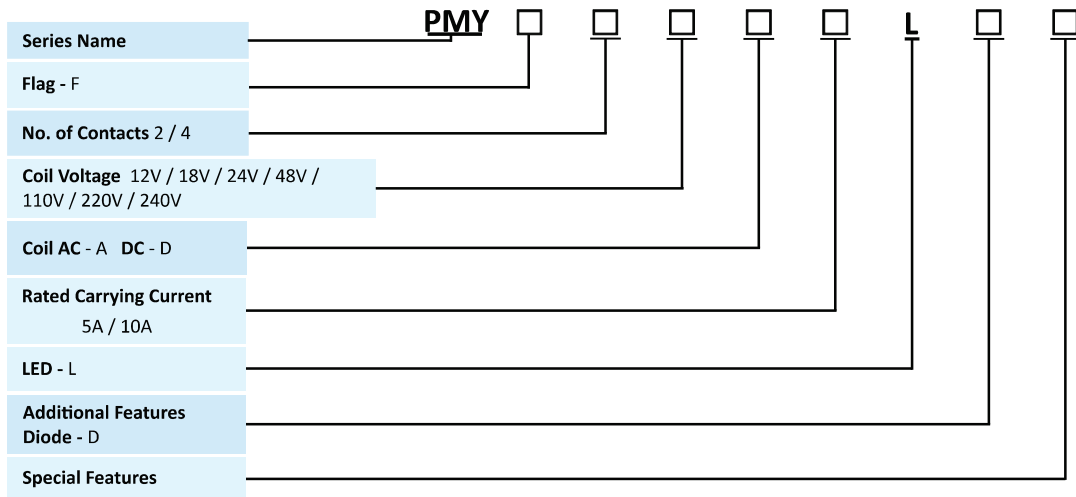


www.plarelays.com

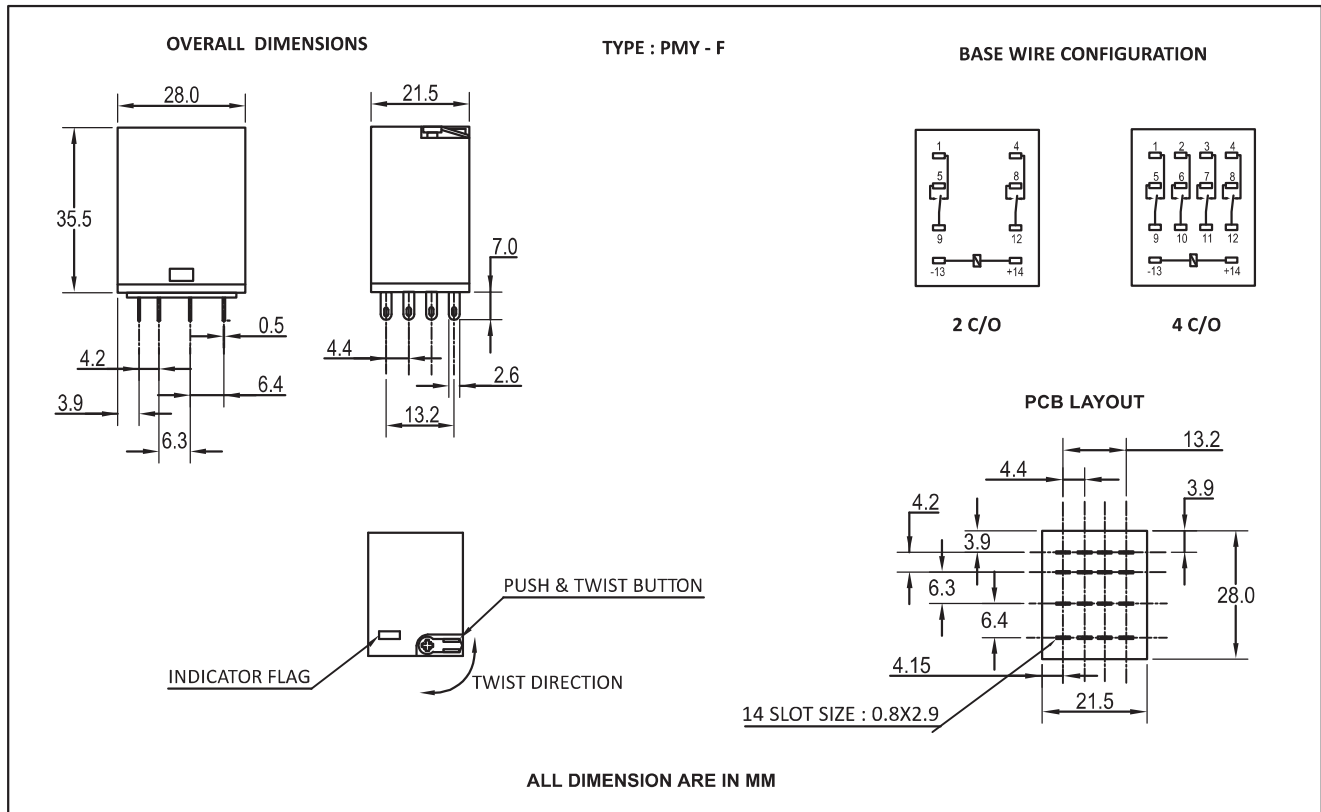
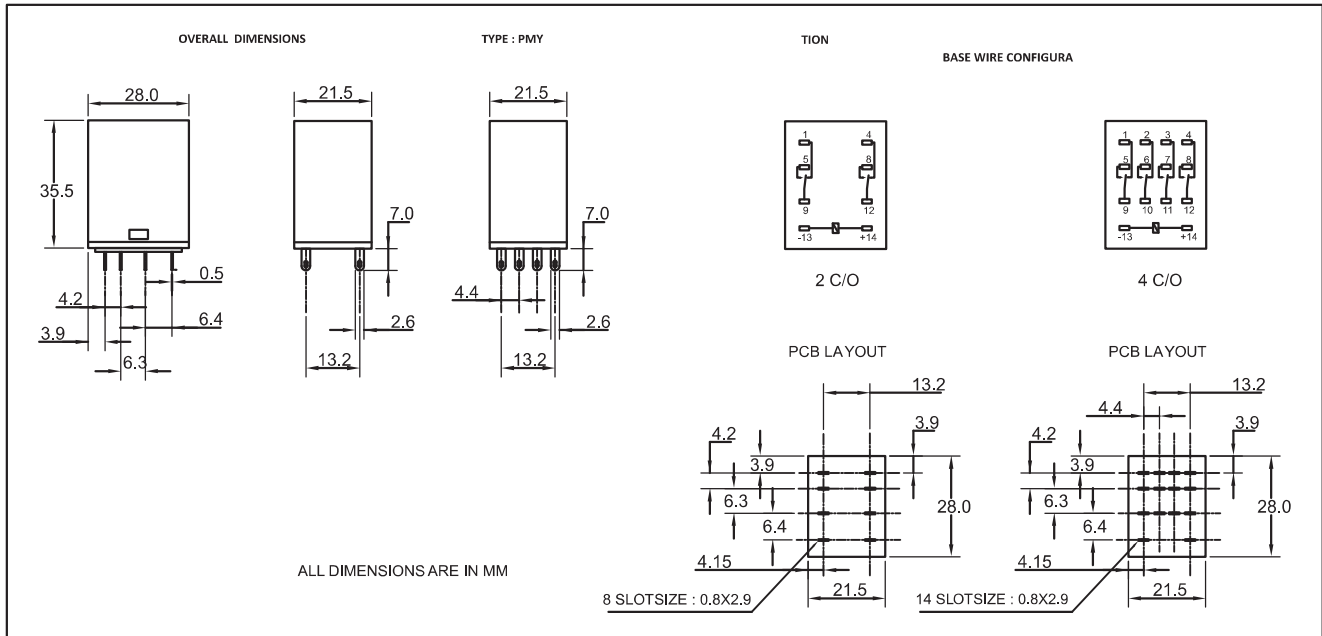
COIL – DATA (ALL VALUES AT 27°C ± 2°AMBIENT)

NOMINAL VOLTAGE (V)	RESISTANCE IN OHM'S ± 10%		MUST OPERATE VOLTAGE (V)	MUST RELEASE VOLTAGE (V)	OPERATING POWER FOR COIL	
	DC RELAY	AC RELAY			DC (W)	AC (VA)
12	160	-	9.6	1.2	0.90	-
18	350	-	14.4	1.8	0.93	-
24	650	180	19.2	2.4	0.89	1.28
48	2.6k	735	38.4	4.8	0.89	1.25
110	11k	4.4k	88	11.0	1.10	1.10
220	42k	-	176	22.0	1.15	-
240	-	19k	192	24.0	-	1.21

ORDERING CODE FOR RELAY



DIMENSIONS



NOTE :- 1) In case no tolerance shown in outline dimensions : Outline dimension 1mm, tolerance should be ± 0.2 mm
 Outline dimension 1mm and 5mm, tolerance should be ± 0.3 mm Outline dimension 5mm tolerance should be ± 0.4 mm
 2) The tolerance without indicating for PCB layout is always ± 0.2 mm