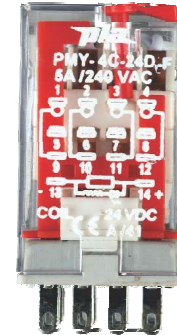


TECHNICAL SPECIFICATIONS			
PARAMETERS		TYPE	
TERMINAL TYPE		Plug In	
CONTACT CONFIGURATION		2C	3C
CONTACT CONFIGURATION		3C	4C
RATED CARRYING CURRENT (RESISTIVE) AT 24 VDC/250 VAC		6A & 10A	6A & 10A
RATED CARRYING CURRENT (RESISTIVE) AT 220 VDC (RELAY WITH ARC SUPPRESSOR)		6A	—
MAX. PEAK INRUSH CURRENT (20ms)		30A & 60A	30A & 60A
CONTACT MATERIAL		Silver alloy	
INDUCTIVE LOAD		1/2 HP at 277 VAC (6A Relay) 1 HP at 277 VAC (10A Relay)	
INITIAL CONTACT RESISTANCE		0.050 Ω	
COIL NOMINAL VOLTAGES	AC Coil	12-240 VAC @50Hz/ 60Hz*	
	DC Coil	12-250 VDC	
PICKUP VOLTAGE		80% maximum	
RELEASE VOLTAGE		10% minimum	
OPERATING POWER (MIN - MAX)	DC Coil	0.89W - 1.15 W	
	AC Coil	1.10VA - 1.25VA	
MAXIMUM SWITCHING VOLTAGE		24 VDC / 250 VAC	
MAX SWITCHING CAPACITY (POWER RATING)		2500VA (10A)	1500VA (6A)
			1500VA (6A)
			1500VA (6A)
DIELECTRIC STRENGTH	BETWEEN OPEN CONTACT	1000 Vrms (Same Polarity)	
	BETWEEN COIL & CONTACT	2000 Vrms	
INSULATION RESISTANCE AT 500 VDC AT 27°C & 50% RH		500 MΩ	
OPERATE TIME (MAX)		20 ms	
RELEASE TIME (MAX)		10 ms	
RELEASE TIME WITH DIODE (Max)		20 ms	
AMBIENT TEMPERATURE		-40°C To +70°C	
IMPULSE WITHSTAND VOLTAGE		5KV 1.2/50 μS.(AS PER IEC 60255-5)	
ELECTRICAL LIFE (NO OF OPERATIONS)		10 ⁵	
MECHANICAL LIFE (NO OF OPERATIONS)		2 x 10 ⁶	
SHOCK RESISTANCE		Destruction : 1000m/s Operative Extremes 150m/s*2	
VIBRATION RESISTANCE		Destruction : 10-55Hz amplitude : 0.5mm Malfunction :10-55Hz amplitude : 0.5mm	
PROTECTION DEGREE		IP 40 / RT 1	
ALL DIMENSIONS ARE IN mm (W x L x H)		21.5 x 28 x 35.5	
MAX WEIGHT IN GRAMS		37 gms (approx)	
INBUILT FEATURE		LED	
OPTIONAL FEATURES		Diode, Manual Test Button, Mechanical Switching Position Indicator	
STANDARDS		IEC 61810-1 ,CE	



PMY with Flag



PMY Without Flag

(Photo For Representation Purpose Only)



SALIENT FEATURES

- Miniature Industrial Relay
- Long Life & High Reliability
- Dust Protected
- With Led Indicator
- Sockets available

NOTE :-1) This product is type tested by TUV Nord as per IEC 61810-1:2015-A1:2019

2) Recommended socket :- **PMYS DR 8/11/14 & PMYS PCB 8/14**

3) Mechanical Switching Position Indicator Available With Extra Charges

4) All Specification/Dimensions subject to Tolerance

5) *Special Relay With 60Hz Compatibility Available At Extra Charge.

6) 2C 6A Relay With Arc suppressor (HPMY) Available At Extra Charges

7) Any Techno commercial changes is / are prerogative of Manufacturer / Management of the company which can be done without any notice

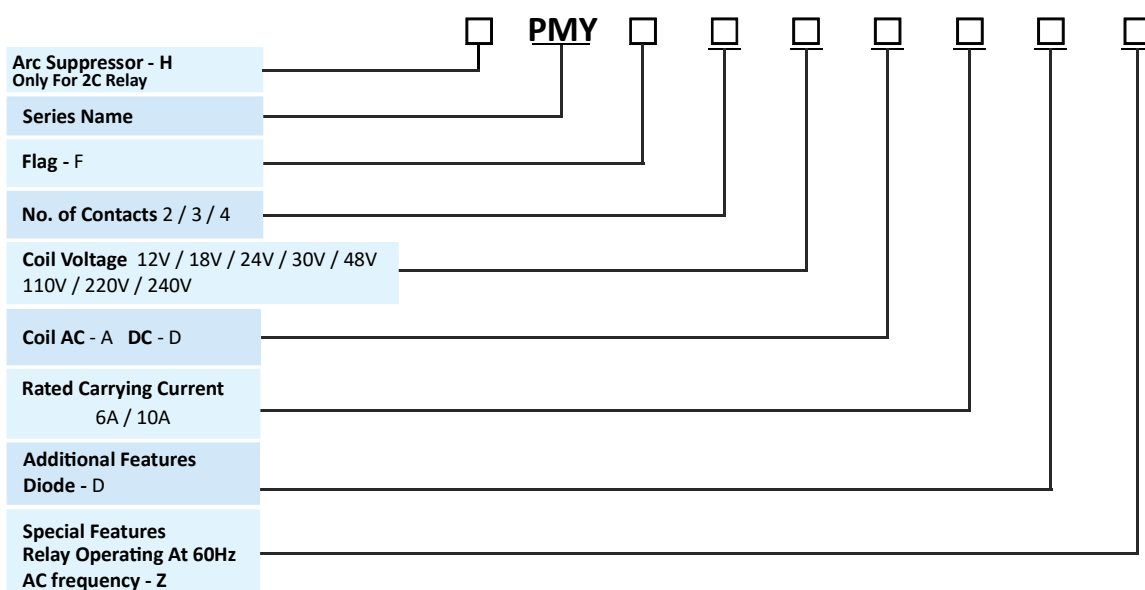
APPLICATIONS

- Industrial Controls
 - Office Automation
 - PLC's
- Timers

COIL – DATA (ALL VALUES AT 27°C ± 2° AMBIENT)

NOMINAL VOLTAGE (V)	RESISTANCE IN OHM'S ± 10%		MUST OPERATE VOLTAGE (V)	MUST RELEASE VOLTAGE (V)	OPERATING POWER FOR COIL	
	DC RELAY	AC RELAY			DC (W)	AC (VA)
12	160	46Ω	9.6	1.2	0.90	-
18	350	-	14.4	1.8	0.93	-
24	650	180	19.2	2.4	0.89	1.28
30	1.0k	-	24	3.0	0.90	-
48	2.6k	735	38.4	4.8	0.89	1.25
110	11k	4.4k	88	11.0	1.10	1.10
220	54k	-	176	22.0	0.97	-
240	-	19k	192	24.0	-	1.21

ORDERING CODE FOR RELAY



+91 22 25106104/05



+91 7045459530



sales@plarelays.com



www.plarelays.com

