

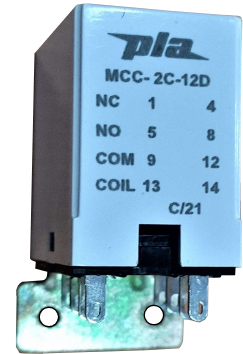
MCC SERIES RELAYS

NEW



TECHNICAL SPECIFICATIONS

PARAMETERS		TYPE		
TERMINAL TYPE		SOLDER		
CONTACT CONFIGURATION		1C	2C	3C
RATED CARRYING CURRENT (RESISTIVE) AT 30 VDC/250 VAC		6A & 10A	6A & 10A	6A & 10A
MAX. PEAK INRUSH CURRENT (20ms)		30A & 60A	30A & 60A	30A & 60A
CONTACT MATERIAL		Silver alloy		
INDUCTIVE LOAD		1/2 HP at 277 VAC (6A Relay)		
		1 HP at 277 VAC (10A Relay)		
INITIAL CONTACT RESISTANCE		0.050 Ω		
COIL NOMINAL VOLTAGES	AC Coil	12-240 VAC @50Hz/ 60Hz*		
	DC Coil	12-220 VDC		
PICKUP VOLTAGE		80% maximum		
RELEASE VOLTAGE		10% minimum		
OPERATING POWER (MIN - MAX)	DC Coil	0.89W - 1.15 W		
	AC Coil	1.10VA - 1.25VA		
MAXIMUM SWITCHING VOLTAGE		24 VDC / 250 VAC		
MAX SWITCHING CAPACITY (POWER RATING)		1250VA FOR 6A		
		2500VA FOR 10A		
DIELECTRIC STRENGTH	BETWEEN OPEN CONTACT	1000 VAC		
	BETWEEN COIL & CONTACT	2500 VAC		
INSULATION RESISTANCE AT 500 VDC AT 27°C & 50% RH		3000 MΩ		
OPERATE TIME (MAX)		20 ms		
RELEASE TIME (MAX)		10 ms		
AMBIENT TEMPERATURE		-40°C To +70°C		
ELECTRICAL LIFE (NO OF OPERATIONS)		10 ⁵		
MECHANICAL LIFE (NO OF OPERATIONS)		2 x 10 ⁶		
SHOCK RESISTANCE		Destruction : 1000m/s Operative Extremes 150m/s ²		
VIBRATION RESISTANCE		Destruction : 10-55Hz Complitude : 0.5mm		
PROTECTION DEGREE		IP 40 / RT 1		
ALL DIMENSIONS ARE IN mm (W x L x H)		25.0 x 30.5 x 49.0		
MAX WEIGHT IN GRAMS		42 gm (approx)		
OPTIONAL FEATURE		Diode		
STANDARDS		IEC 61810-1 ,CE		



(Photo For Representation Purpose Only)



SALIENT FEATURES

- Miniature Industrial Relay
- Long Life & High Reliability
- Dust Protected

NOTE:- 1) This product is type tested by TUV Nord as per IEC 61810-1:2015-A1:2019

2) All Specification / Dimensions subject to Tolerance.

3) Contact form 1 A and 1 B available on request .

4) Any Techno commercial changes is / are prerogative of Manufacturer / Management of the company which can be done without any notice.

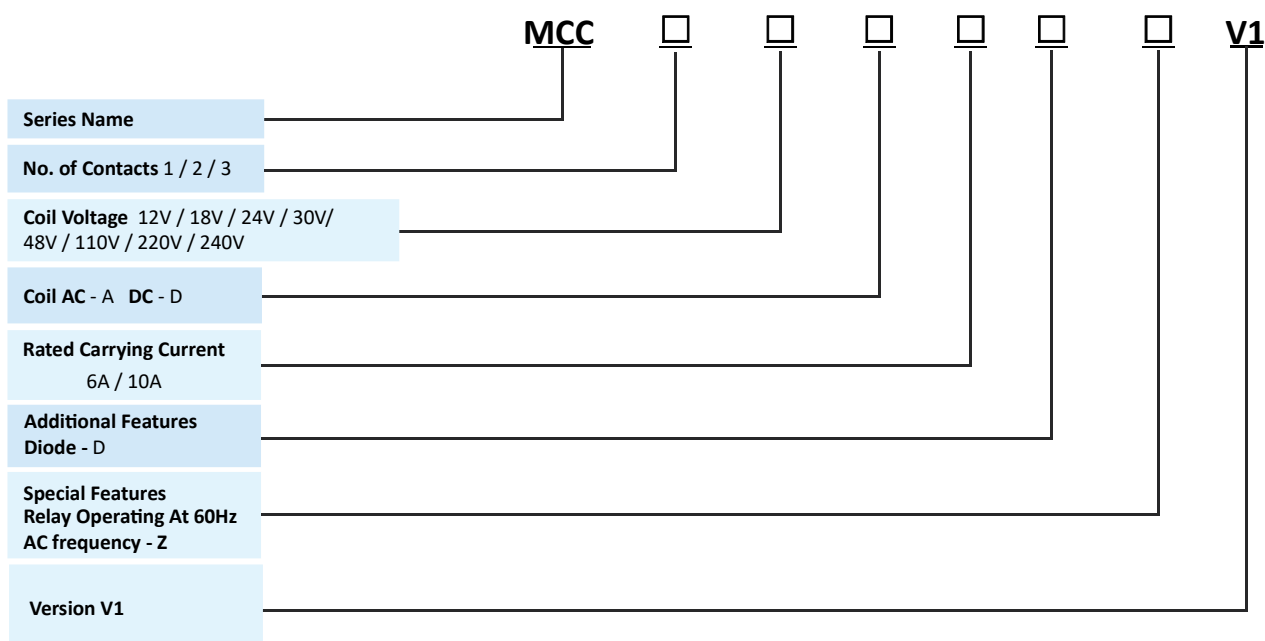
APPLICATIONS

- Industrial Controls
- Office Automation
- PLC's
- Timers

COIL – DATA (ALL VALUES AT 27°C ± 2° AMBIENT)

NOMINAL VOLTAGE (V)	RESISTANCE IN OHM'S ± 10%		MUST OPERATE VOLTAGE (V)	MUST RELEASE VOLTAGE (V)	OPERATING POWER FOR COIL	
	DC RELAY	AC RELAY			DC (W)	AC (VA)
12	160	-	9.6	1.2	0.90	-
18	350	-	14.4	1.8	0.93	-
24	650	180	19.2	2.4	0.89	1.28
30	1.0k	-	24	3.0	0.90	-
48	2.6k	735	38.4	4.8	0.89	1.25
110	11k	4.4k	88	11.0	1.10	1.10
220	54k	-	200	22.0	0.97	-
240	-	19k	192	24.0	-	1.21

ORDERING CODE FOR RELAY

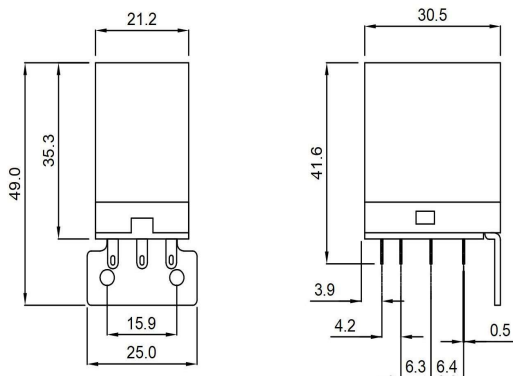


DIMENSIONS

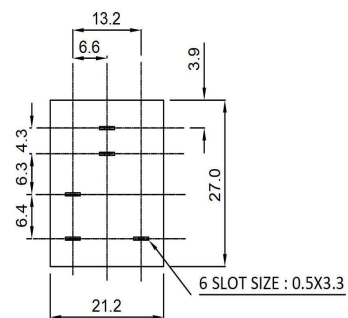
OVERALL DIMENSIONS

TYPE : MCC

BASE WIRE CONFIGURATION

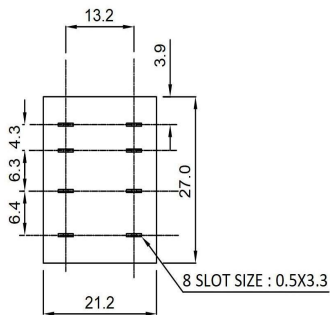


NC	-	2	-
NO	-	5	-
COM	7	-	-
COIL	10	11	



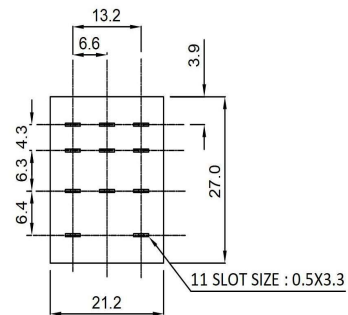
1 C/O
PCB LAYOUT

NC	1	4
NO	5	8
COM	9	12
COIL	13	14



2 C/O
PCB LAYOUT

NC	1	2	3
NO	4	5	6
COM	7	8	9
COIL	10	11	



3 C/O
PCB LAYOUT

ALL DIMENSIONS ARE IN MM

