

HCC SERIES RELAYS

HCC are available in HCC 12A & 16A



TECHNICAL SPECIFICATIONS

TYPE		HCC
TERMINAL TYPE		Solder
CONTACT CONFIGURATION		1C / 2C / 3C
RATED CARRYING CURRENT (RESISTIVE) AT 24 VDC / 250 VAC		12A 16A
CONTACT MATERIAL		Silver alloy
INITIAL CONTACT RESISTANCE (MAX)		0.050 Ω
COIL NOMINAL VOLTAGES	DC	6 - 220 V
	AC	6 - 240 V @ 50Hz
OPERATING POWER (MIN-MAX) FOR DC COIL		1.2 - 1.21 W
OPERATING POWER (MIN-MAX) FOR AC COIL		2.42 - 3.60 VA
DIELECTRIC STRENGTH BETWEEN	OPEN CONTACT	1800 V _{RMS}
	COIL TO CONTACT	2000 V _{RMS}
INSULATION RESISTANCE AT 500 VDC AT 27°C & 65% RH		100 MΩ
OPERATE TIME (MAX)		25 ms
RELEASE TIME (MAX)		15 ms
AMBIENT TEMPERATURE		-40°C To +70°C
ELECTRICAL LIFE (NO OF OPERATIONS)		10 ⁵
MECHANICAL LIFE (NO OF OPERATIONS)		10 ⁶
ALL DIMENSIONS ARE IN MM (W X L X H) APPROX.		37.2 x 53.4(+9.1) x 38.5
MAX WEIGHT IN GRAMS (APPROX.)		126 gms
OPTIONAL FEATURE		Diode
STANDARDS		IEC 61810-1



(Photo For Representation Purpose Only)



SALIENT FEATURES

- Versatile Relays Satisfying low to
- Medium Power Sources
- High Reliability
- Elegant/ Sturdy and Light Weight

APPLICATIONS

- | | | |
|----------------------|------------------------------|--------------------------|
| • Voltage Stabilizer | • Uninterrupted Power Supply | • Process Control System |
| • Control Panels | • Inverters | • Industrial Controls |

NOTE:- 1) This product is type tested by TUV Nord as per IEC 61810-1:2015-A1:2019

2) All Specification / Dimensions subject to Tolerance.

3) Any Techno commercial changes is / are prerogative of manufacturer / management of the company which can be done without any notice.

4) HCC Relay of 16 Amp was formerly known as MPR.



+91 9152626104



+91 7045459530



sales@plarelays.com

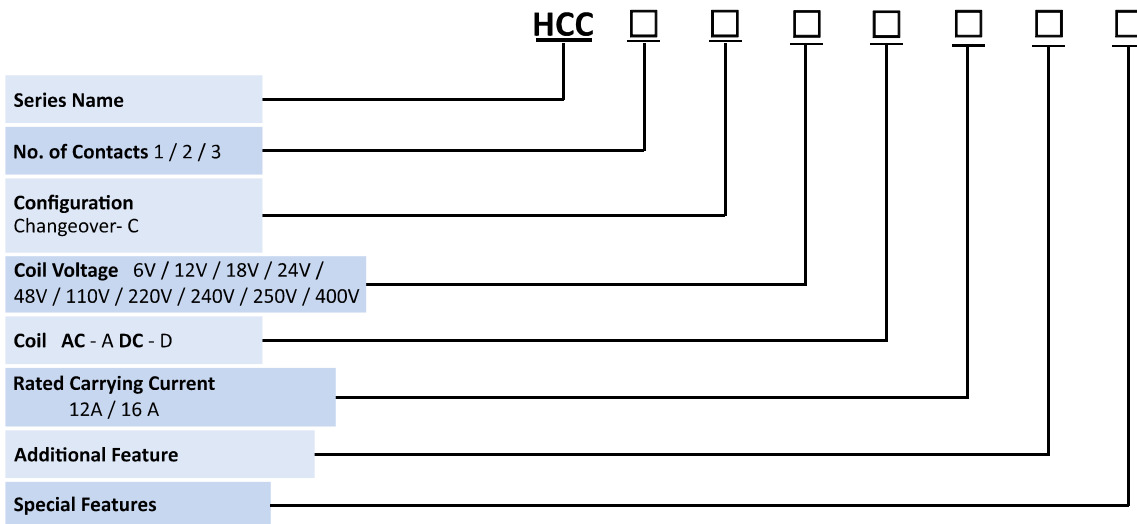


www.plarelays.com

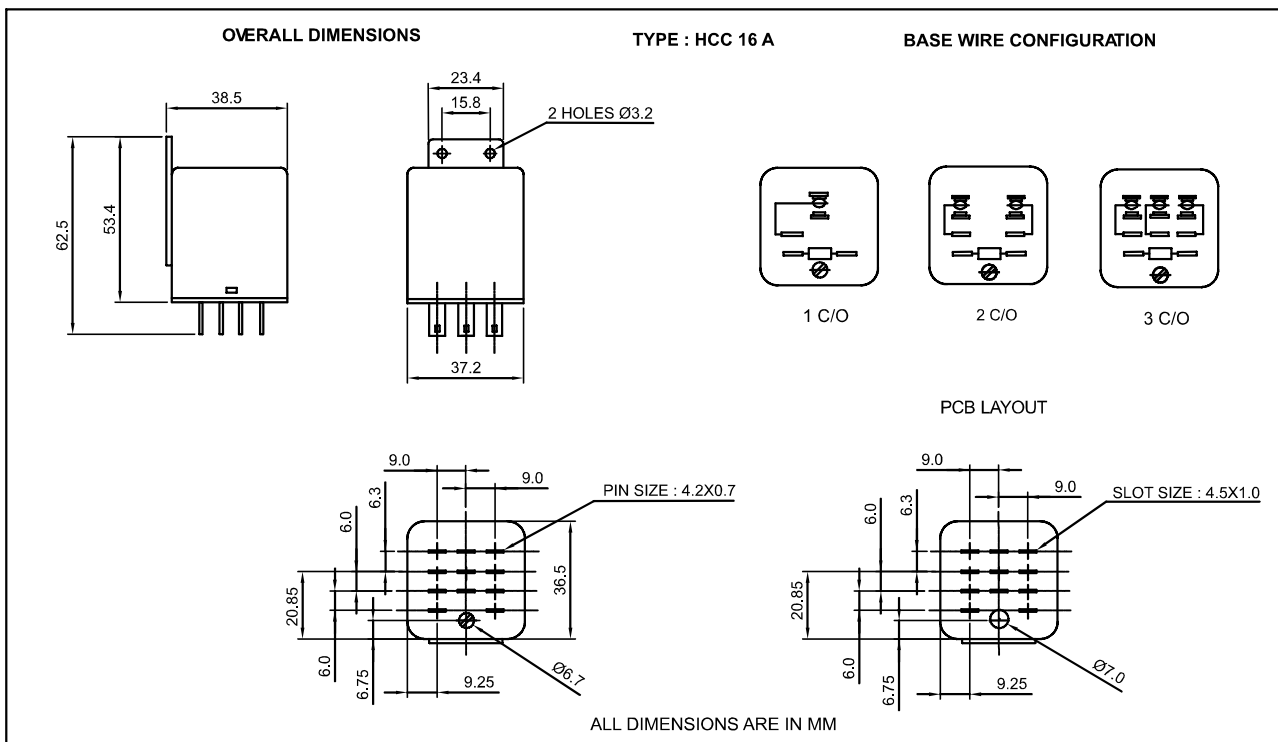
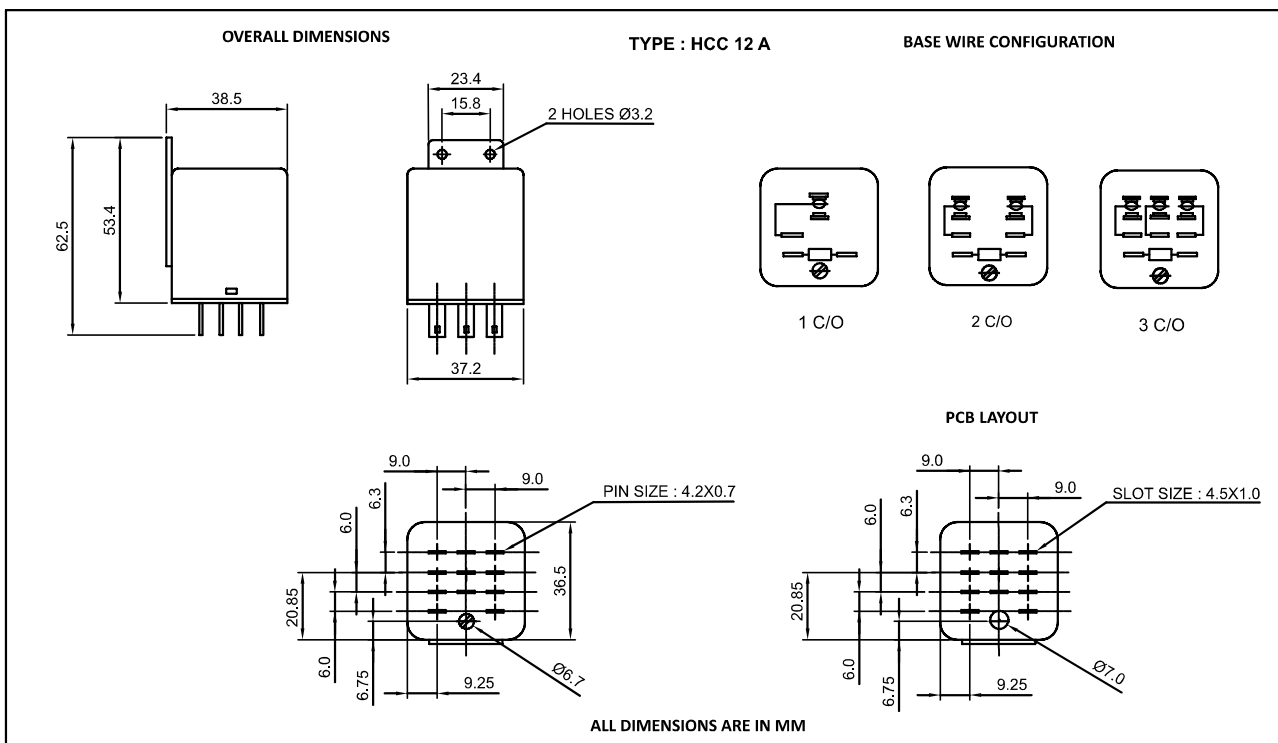
COIL – DATA (ALL VALUES AT 27°C ± 2° AMBIENT, COLD START)

NOMINAL VOLTAGE (V)	RESISTANCE IN OHM'S ± 10% Ω		MUST OPERATE VOLTAGE (V)	MUST RELEASE VOLTAGE (V)	OPERATING POWER FOR DC COIL	
	DC RELAY	AC RELAY			DC (W)	AC (VA)
6	30	4	4.8	0.6	1.2	3.60
12	120	16	9.6	1.2	1.2	3.60
18	270	-	14.4	1.8	1.2	-
24	480	110	19.2	2.4	1.2	3.29
48	1.9k	-	38.4	4.8	1.21	-
110	10k	2.4k	88	11	1.21	2.42
220	40k	-	176	22	1.21	-
240	-	9.5k	192	24	-	2.43
250	50k	-	200	25	1.25	-
400	-	27k	320	40	-	2.37

ORDERING CODE FOR RELAY



DIMENSIONS



NOTE :- 1) In case no tolerance shown in outline dimensions : Outline dimension 1mm, tolerance should be ± 0.2 mm
Outline dimension 1mm and 5mm, tolerance should be ± 0.3 mm Outline dimension 5mm tolerance should be ± 0.4 mm
2) The tolerance without indicating for PCB layout is always ± 0.2 mm